



ROOF TILE COLLECTION

VHV



LOHAS  
Australia

VHV Vario has a double variable side closure with guaranteed clearance of 6 mm

Double variable head lock with 20 mm clearance for the VHV Vario/Classic

2 suspension noses for stable placement on the roof

In possession of the ecolabel Dubokeur

Numerous ceramic fittings ensure a perfect technical finish

the lightest corrugated pan in the range

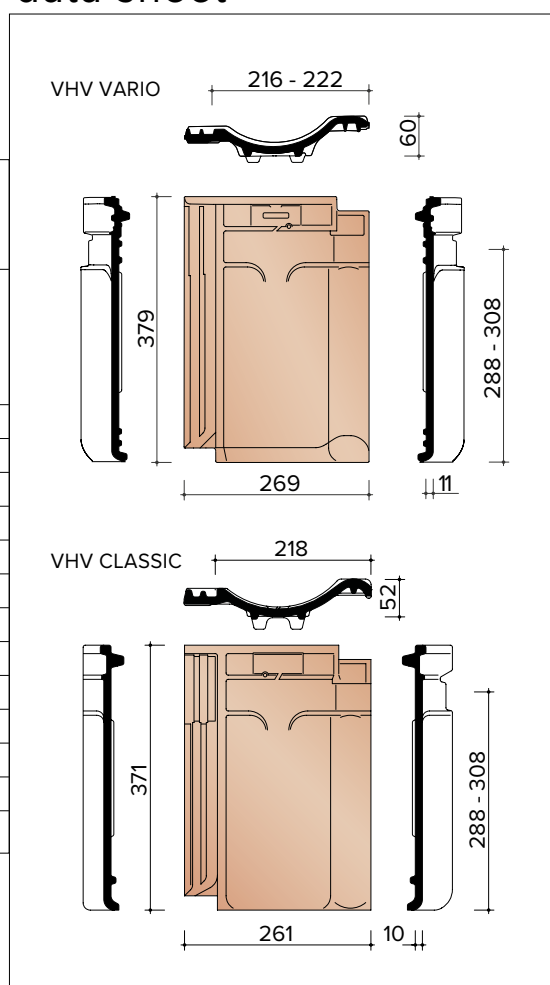
The VHV Vario is available in 11 colors including 8 matt or glossy glazed. The VHV Classic is available in Blue braised, a specialty of Koramic

30 year warranty on frost resistance, incl. replacement costs when using Koramic ventilating under frosts



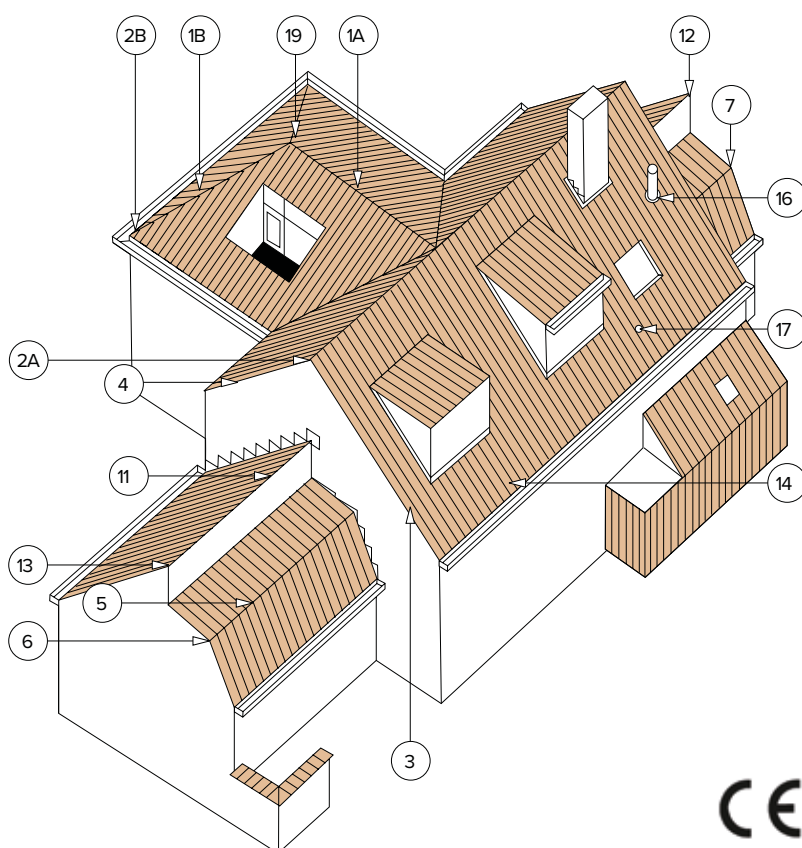
# VHV Vario/Classic - technical data sheet

Definition:	Hollow clay roof tile with double side closure, double head closure and adjustable batten distance. The VHV Vario also has a double variable side closure.
Minimum roof pitch with shelter:	25°.
- Fleece or Fleece Plus:	15°, subject to observance of the instructions
- Fleece Premium:	in the Façade and underroof films brochure.
Useful length (bar spacing):	± 288 - 308 mm [EN 1024]
Useful width:	Vario ± 216 mm - 222 mm [EN 1024]
	Classic ± 218 mm [EN 1024]
Number of pieces/m <sup>2</sup> :	Vario ± 14,6 - 16,1
	Classic ± 14,9 - 15,9
Unit weight:	Vario ± 2,70 kg
	Classic ± 2,44 kg
Weight per m <sup>2</sup> :	Vario ± 39,4 - 43,5 kg
	Classic ± 36,4 - 38,8 kg
breaking load:	> 1200 N [EN 538]
Impermeability:	≤ 0,5cm <sup>3</sup> /cm <sup>2</sup> .d [EN 539-1]
Frost resistance:	Frost resistance [EN 539-2]
Placement:	Straight



You can also download this and other information such as specification texts from our website: [www.wienerberger.be/vhv](http://www.wienerberger.be/vhv)

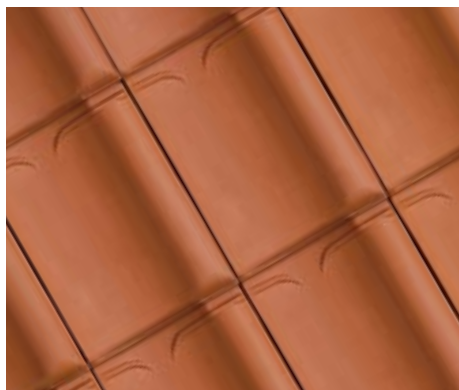
1A frost	1200
1B North tree	1200
2A Beginning and end frost with head plate	1215
Vorst met dubbele wel	1250
2B Frost with double well	1260
	3110
3 Left facade tile	7080
Left ventPan with double well pan	8050
4 Right facade tile	7090
5 Articulated pan	8200
Articulated pan with double well	8250
Crochet frost with double well	8550
6 Left gable hinged tile	7280
7 Right gable tile	7290
11 hook frost	8500
12 Left gable hook frost	7580
13 Right gable hook frost	7590
14 half pan	8010 *
16 Half Kit cooker + cap pan	8728
	8741 *
17 Ventilation pan/hook feed pan	8640
swift pan	8660
Cable entry pan	8958
19 prince hat	5140
	5500
	5520
	5540
	5560



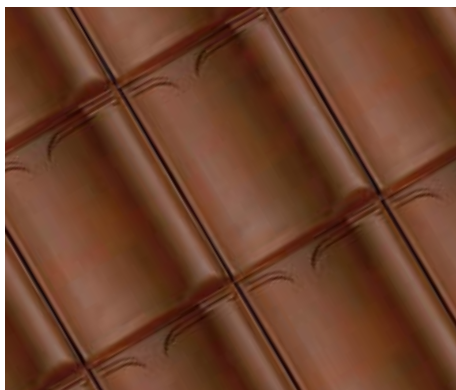
\* only at VHV Classic



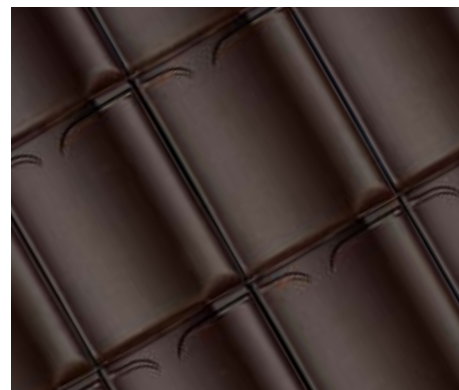
# VHV Vario / Classic - colours



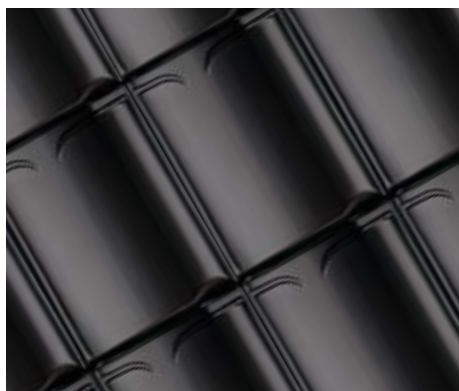
VHV Vario - Natural Red+ 652



VHV Vario - Rustic 872



VHV Vario - Black-brown engobe 737



VHV Vario - Matt slate black glazed 756



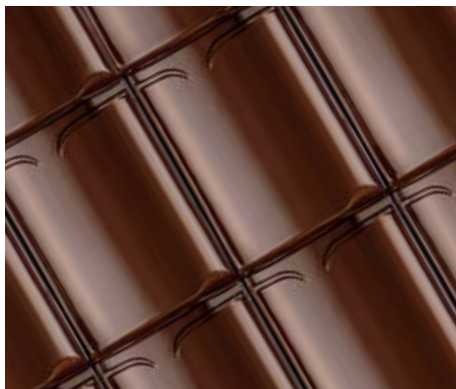
VHV Vario - Matt black glazed 744



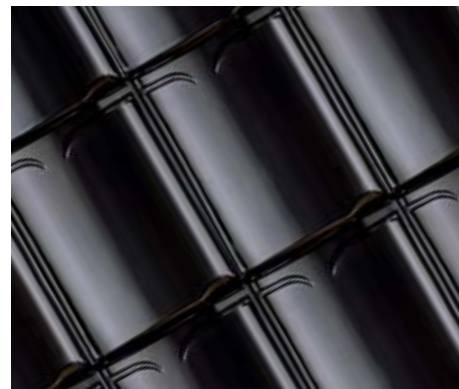
VHV Vario - Rustic glazed 900



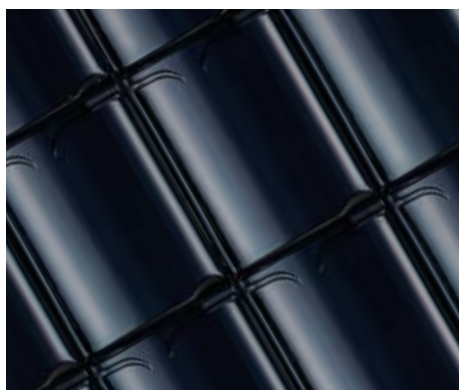
VHV Vario - Light brown glazed 669



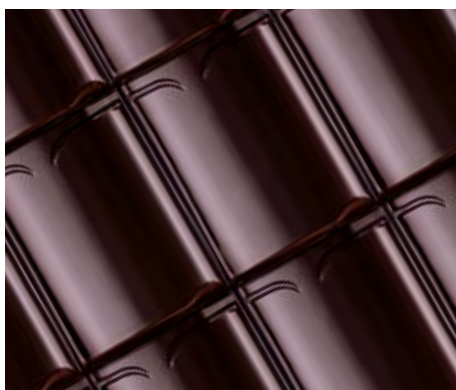
VHV Vario - Brown glazed 670



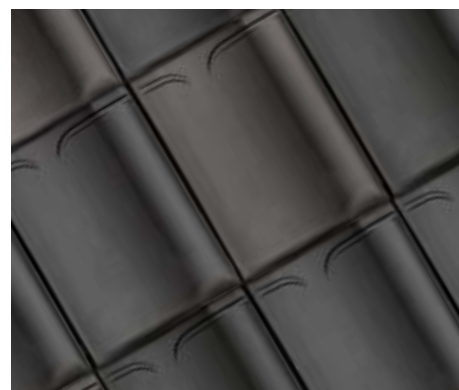
VHV Vario - Black glazed 738



VHV Vario - Night blue glazed 638



VHV Vario - Wine red glazed 614



VHV Classic - Braised Blue 706





1



2



3



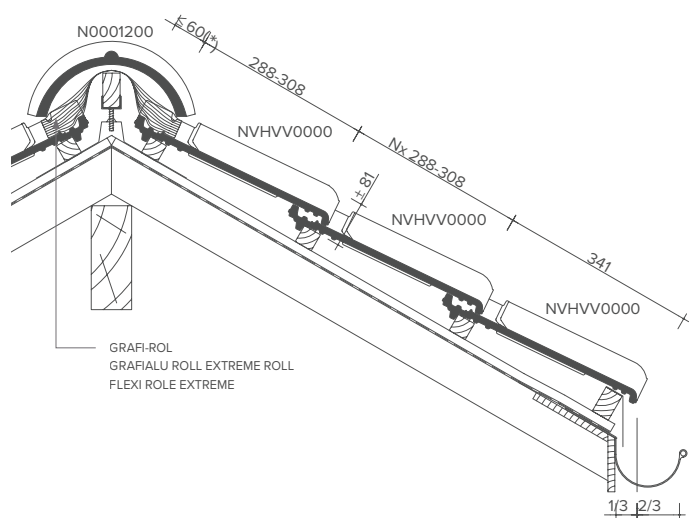
4

1. VHV Vario Black glazed Dormer windows:  
Tile 301 Glazed Black
2. VHV Vario Black-brown engobe
3. VHV Classic Blue Braised  
is M. Entro - Torhout
4. VHV Vario Rustic  
is M. Construction company Villas Charmette - Kortrijk

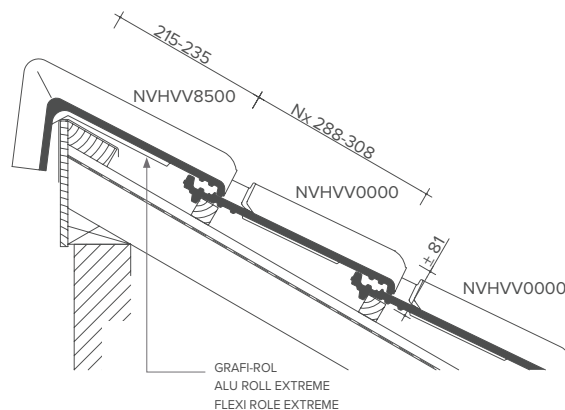


# VHV Vario - laying plans

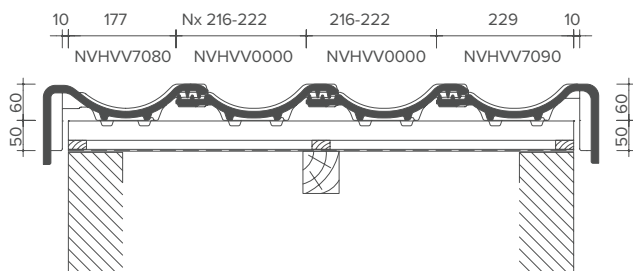
LENGTH-SECTION ROOF AT FROST VHV VARIO



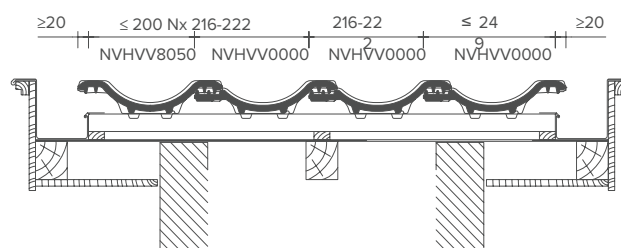
LENGTH-SECTION ROOF AT HOOK FROST VHV VARIO



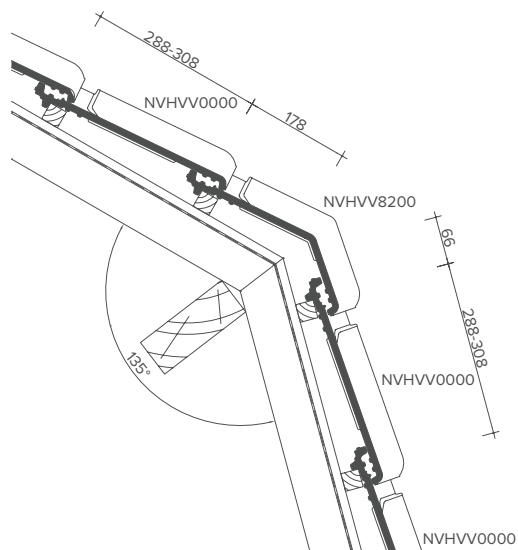
CROSS-section ROOF AT THE HEIGHT OF FAADE TILES VHV VARIO



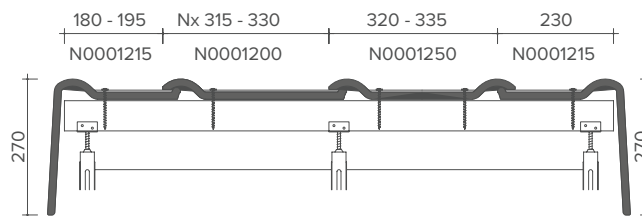
CROSS-SECTION ROOF AT THE HEIGHT OF PAN WITH DOUBLE WELL - VHV VARIO



LENGTH-SECTION ROOF AT THE HEIGHT OF KNIKPAN VHV VARIO



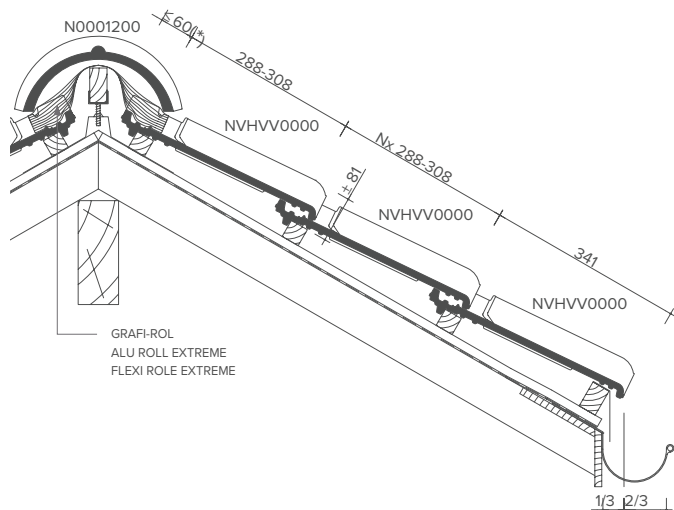
CROSS-SECTION ROOF AT FROST VHV VARIO



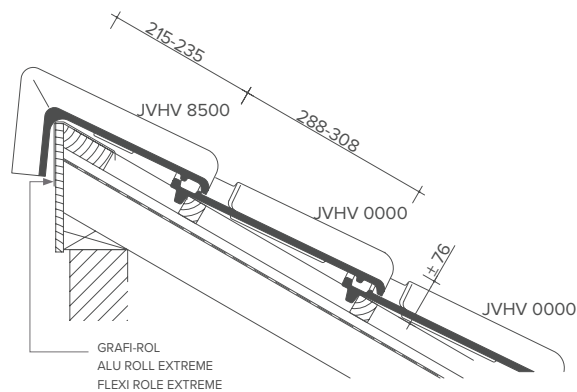
(\*) The distance depends on the roof pitch and the section of counter battens and tile battens and must be determined on site.

# VHV Classic - laying plans

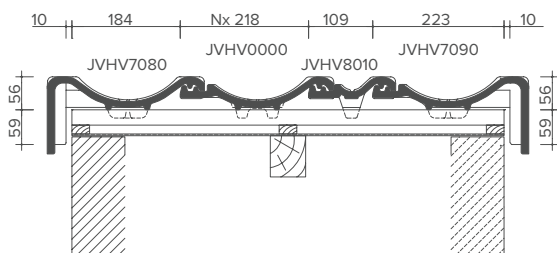
LENGTH-SECTION ROOF AT FROST VHV CLASSIC



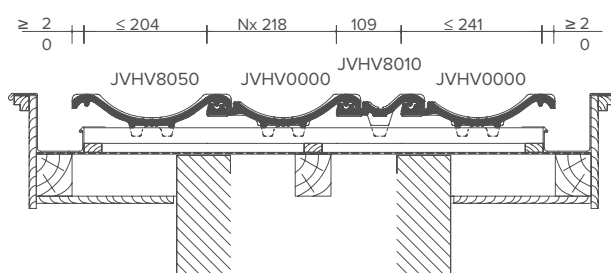
LENGTH-SECTION ROOF AT HOOK FROST VHV CLASSIC



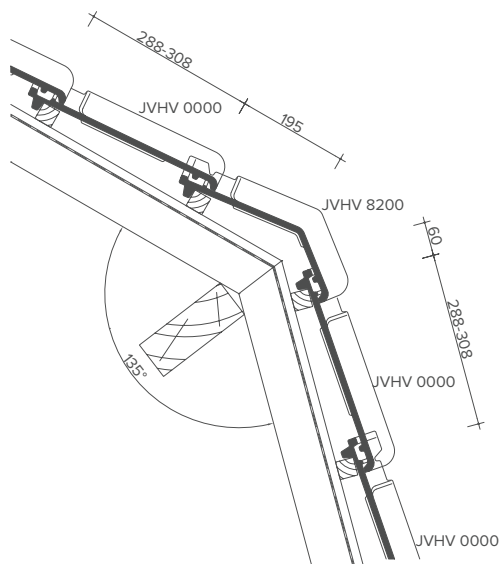
CROSS-section ROOF AT THE HEIGHT OF FAADE TILES VHV CLASSIC



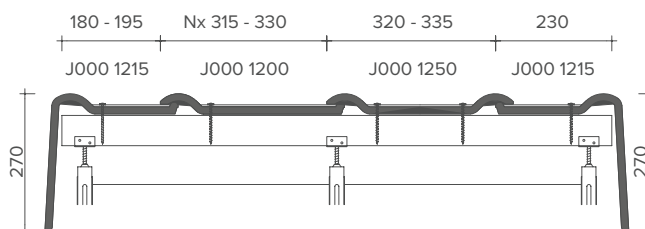
CROSS-section ROOF AT THE HEIGHT OF PAN WITH DOUBLE WELL - VHV CLASSIC



LENGTH-SECTION ROOF AT THE HEIGHT OF KNIKPAN VHV CLASSIC



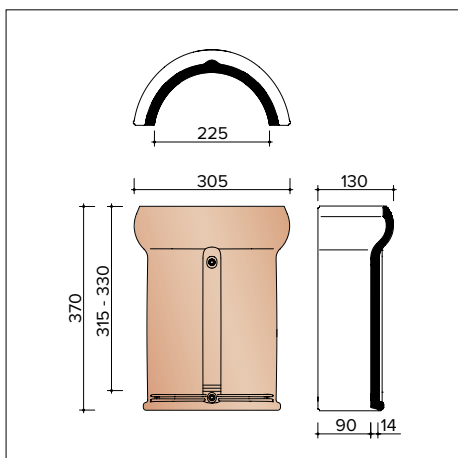
CROSS-SECTION ROOF AT FROST VHV CLASSIC



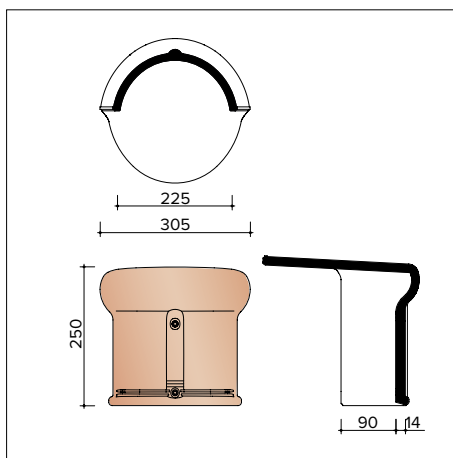
(\*) The distance depends on the roof pitch and the section of counter battens and tile battens and must be determined on site.



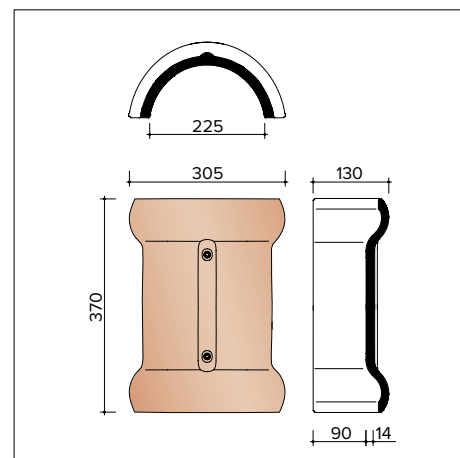
# VHV Vario / Classic - monarchs and northern trees



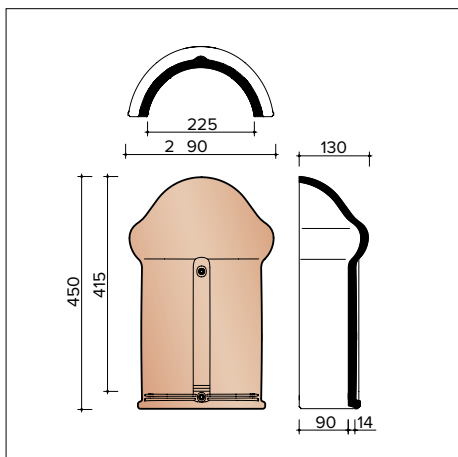
J/N0001200 3 - 3,1 pcs/lm  
Semicircular frost/northern tree  
Vario - 225 mm



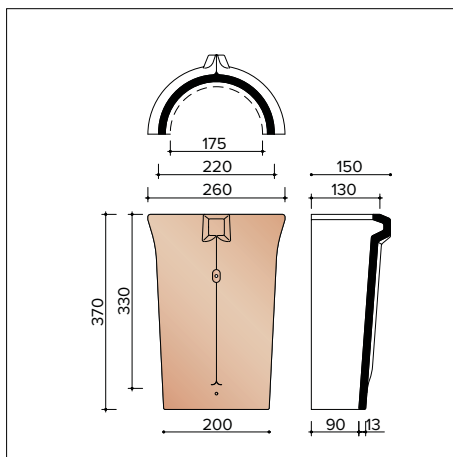
J/N0001215  
Semicircular initial/final frost Vario  
with head plate - 225 mm



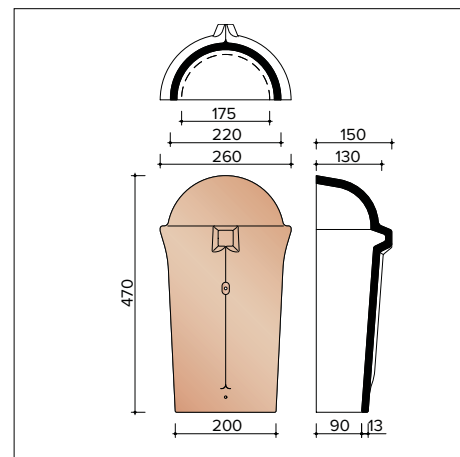
J/N0001250  
Semicircular frost Vario with  
double wel - 225 mm



J/N0001260  
Semicircular North Pole Vario - 225 mm

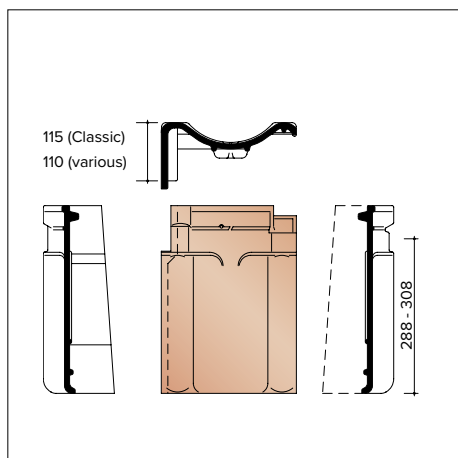


J/N0003100 3 pcs/lm  
Conical North Tree

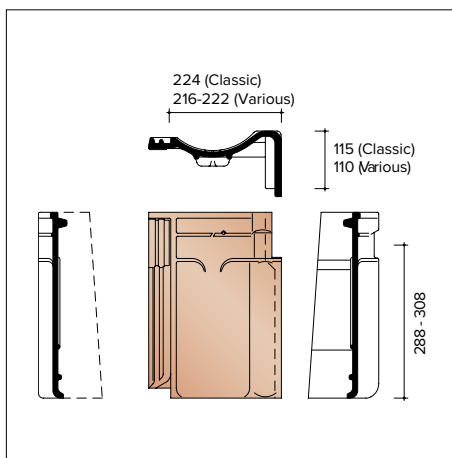


J/N0003110  
Conical Beginning North Tree

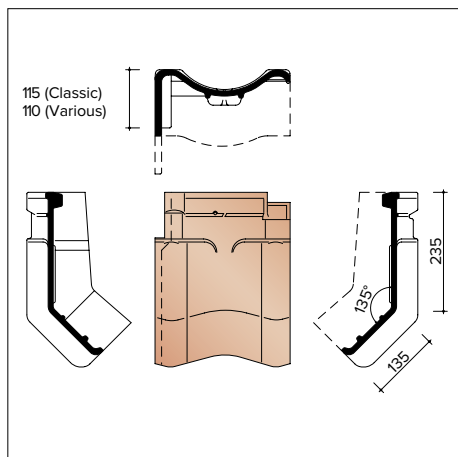
# VHV Vario / Classic - facade tiles



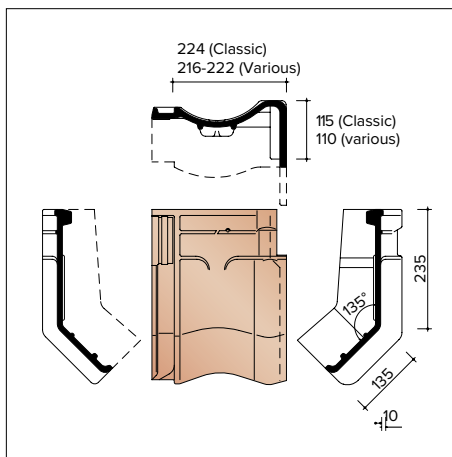
J/NVHV7080 3.3 pcs/lm  
Left facade tile



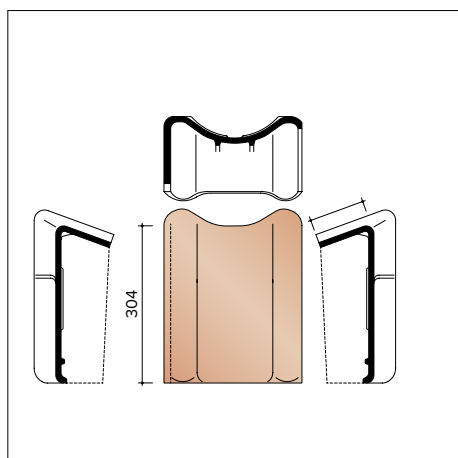
J/NHV7090 3.3 pcs/lm  
Right facade tile



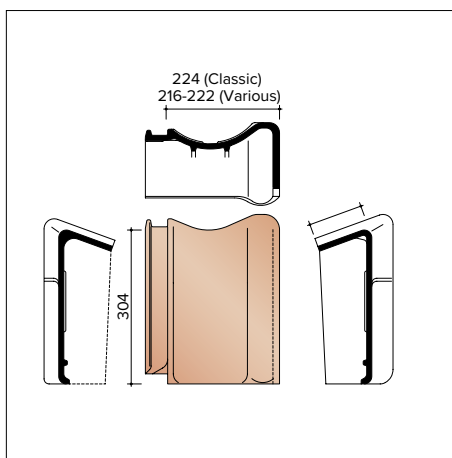
J/NVHV7280 3 pcs/lm  
Left gable hinged pan



J/NVHV7290  
Right gable tile

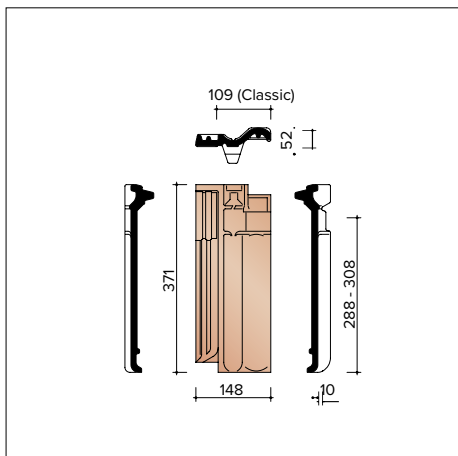


J/NVHV7580  
Left gable hook frost

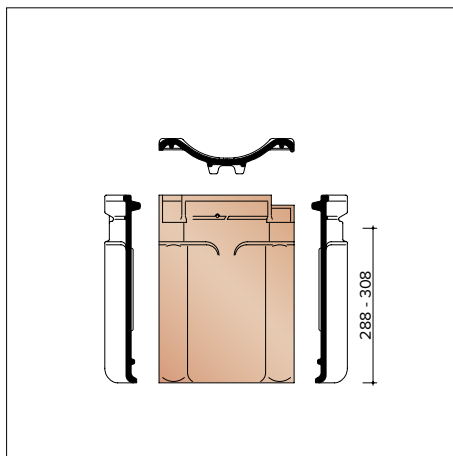


J/NVHV7590  
Right gable hook frost

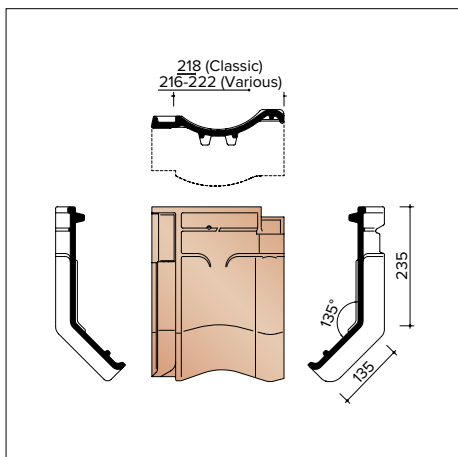
# VHV Vario / Classic - other accessories



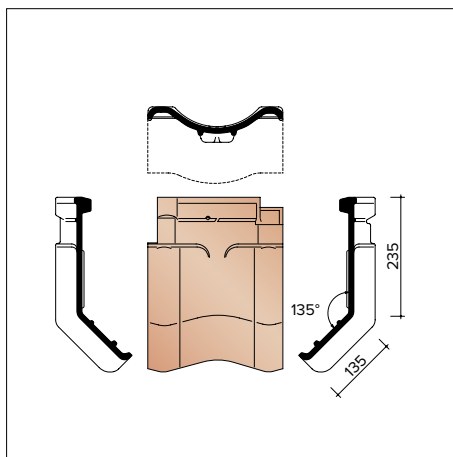
JVHV8010 3.3 pcs/lm \*\*  
Half pan



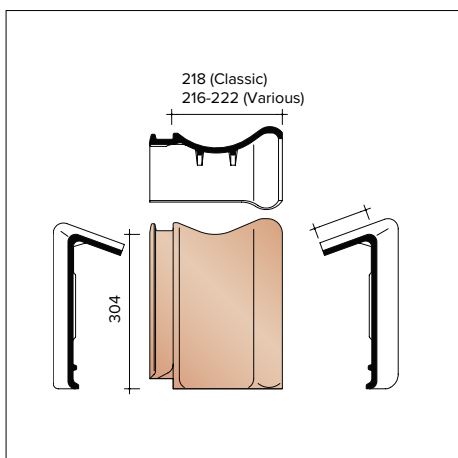
J/NVHV8050 3.3 pcs/lm  
Double well pan



J/NVHV8200 4.6 pcs/lm  
Articulated pan 135°



J/NVHV8250  
Articulated pan with double well

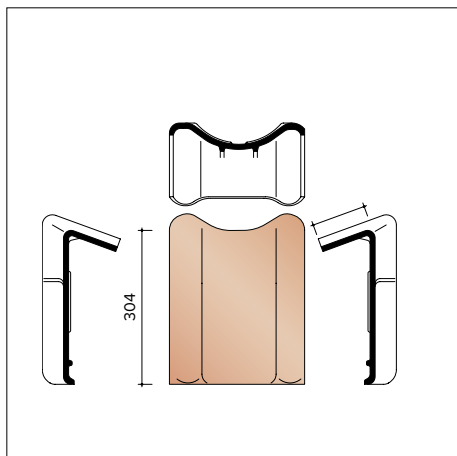


J/NVHV8500 4.6 pcs/lm  
Hook frost

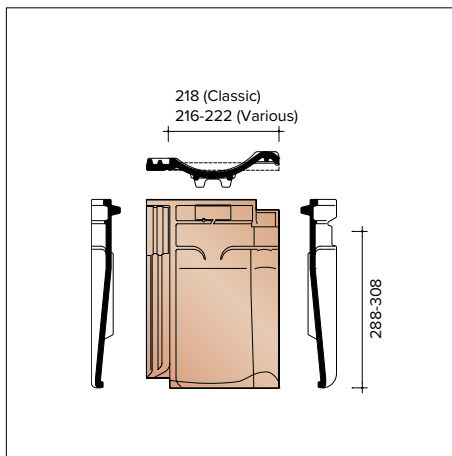
\*\* Only for VHV Classic



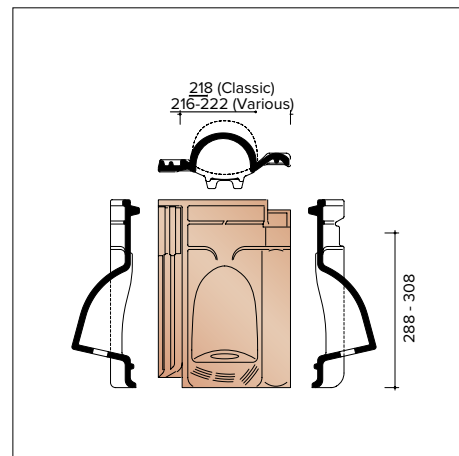
# VHV Vario / Classic - other accessories



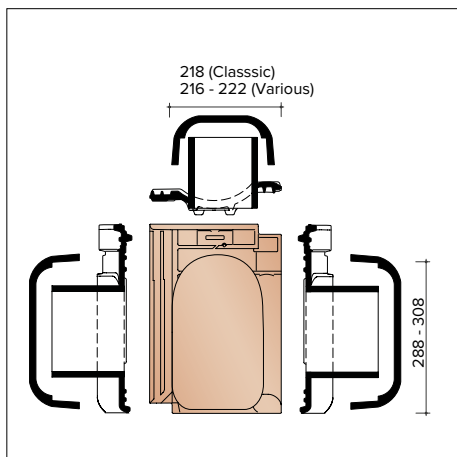
J/NVHV8550  
Crochet frost with double well



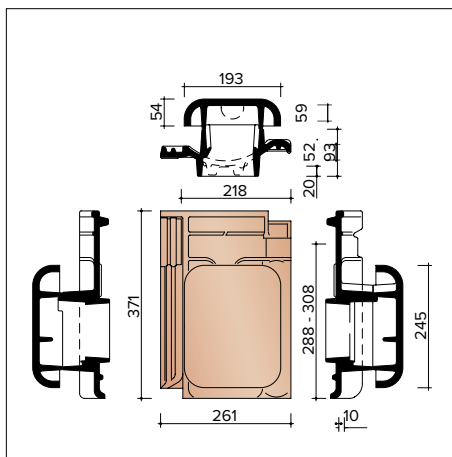
J/NVHV8640  
Ventilation pan/hook transit pan  
with grid in plastic - 25 cm<sup>2</sup>



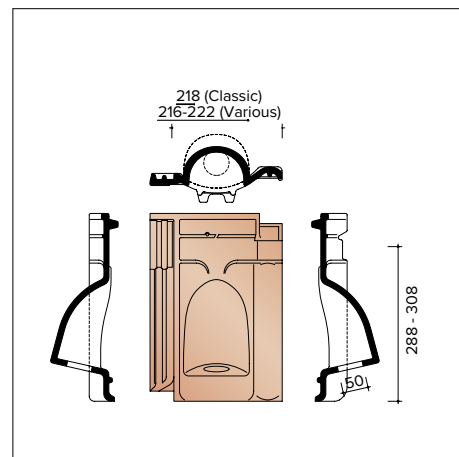
J/NVHV8660  
swift pan



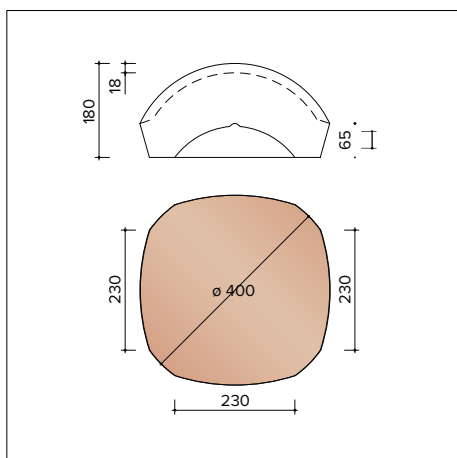
J/NVHV8728  
Kit cooker pan Ø 125 mm + cap  
+ connection module + gear unit piece



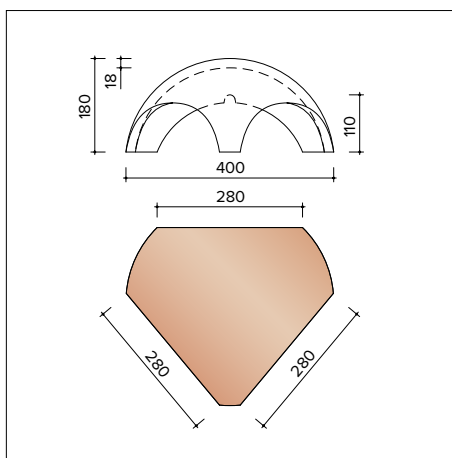
JVHV8741\* \*\*  
Kit cooker pan Ø 100 mm + cap+  
connection module + gear unit piece



J/NVHV8958  
Cable entry pan Ø 50 mm



J/N0005140  
Princes hat between 3 princes 1200

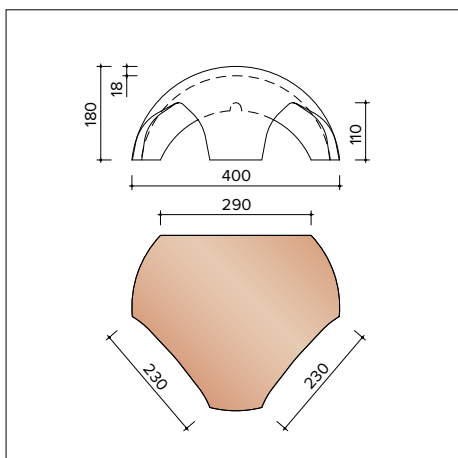


J/N0005500  
Frost hat between 1 frost 1200  
and 2 princes 1200 as north tree

\* In the course of 2021 the tube pan 8741 Ø 100 mm will be replaced by the tube pan 8728 Ø 125 mm

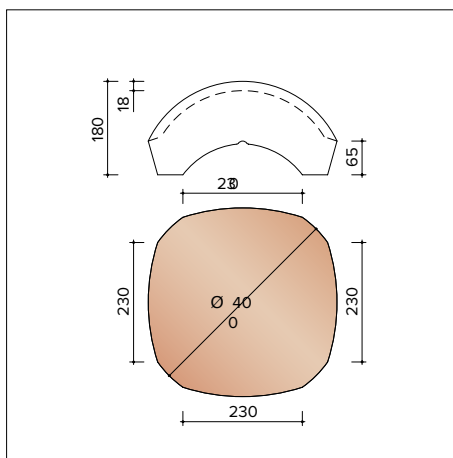
\*\* Only for VHV Classic For availability of colours and delivery times, please contact your building

## VHV Vario /Classic - other accessories



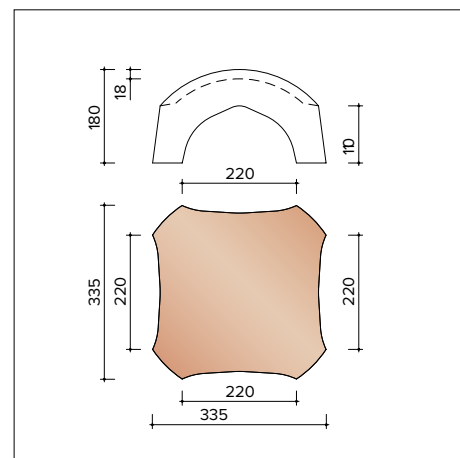
J/N0005520

Frost hat between 1 frost 1200  
and 2 north trees 3100



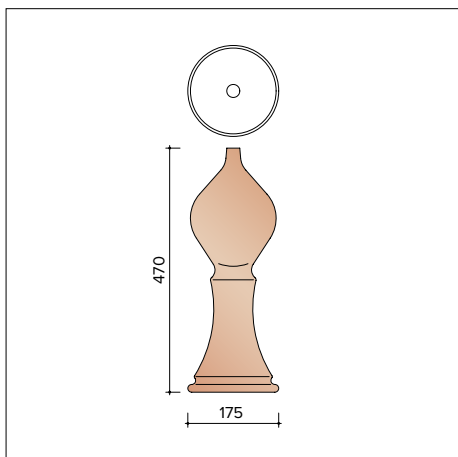
J/N0005540

Princes hat between 4 monarchs 1200



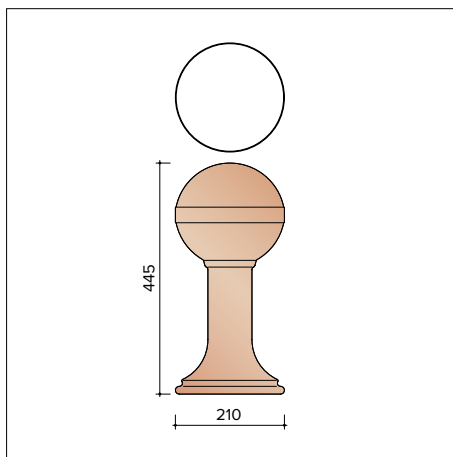
J/N0005560

Prince's hat between 4 north trees 3100



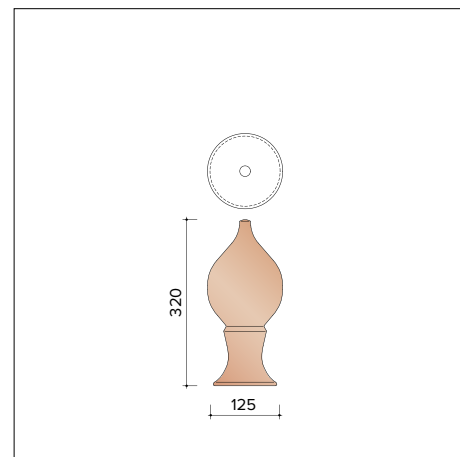
J/N0005900 \*

Piron No. 1



J/N0005910 \*

Piron No. 2



J/N0005930

Piron No. 4

\* Piron: only in combination with prince hats; a mounting set is included with each piron.

The number of pieces/lm for model-dependent fittings was always calculated, taking into account the maximum batten distance.



1



2



3

1. VHV Vario Rustic glazed Arch.  
H. Geldof - Staden 2. VHV  
Vario
2. VHV Vario Night blue glazed
3. VHV Vario Matt black glazed





# LOHAS

Australia

## CONTACT US

If you are interested in LOHAS Australia's roof tile collection, please contact us to book an appointment to see our showroom

P: 02 9566 2114  
E: [info@lohasau.com](mailto:info@lohasau.com)  
W: [lohasau.com](http://lohasau.com)  
I: [@lohas\\_australia](https://www.instagram.com/lohas_australia)



LOHAS Australia is a proud distributor of Wienerberger product range in Australia.